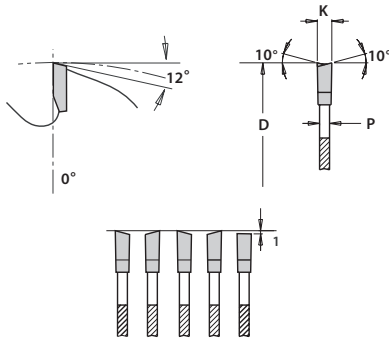
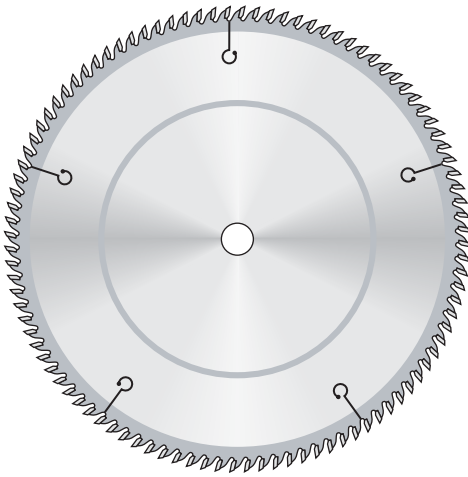


Wood Miter Blades

4 ATB + 1 Raker



Application: For ripping or cross-cutting dry soft and hardwoods and some composite materials. Manufactured to produce tight, perfectly cut miter joints with no bottom splintering. Use for single and double miter style machines.

Carbide-tipped | 4 ATB + 1 Raker Top Design | Laser Slots

Catalog #	Dia.	Teeth	Bore	Kerf	Plate
WM096005	9"	60	5/8"	0.11	0.085
WM098005	9"	80	5/8"	0.11	0.085
WM108005	10"	80	5/8"	0.12	0.095
WM101005	10"	100	5/8"	0.12	0.095
WM119005	11"	90	5/8"	0.12	0.095
WM128005	12"	80	5/8"	0.12	0.095
WM129005	12"	90	5/8"	0.12	0.095
WM121005	12"	100	5/8"	0.12	0.095
WM121205	12"	120	5/8"	0.12	0.095
WM138005	13"	80	5/8"	0.125	0.1
WM131005	13"	100	5/8"	0.125	0.1
WM141005	14"	100	5/8"	0.13	0.105
WM141205	14"	120	5/8"	0.13	0.105
WM161005	16"	100	1"	0.13	0.105
WM161205	16"	120	1"	0.13	0.105
WM161305	16"	130	1"	0.13	0.105
WM161505	16"	150	1"	0.13	0.105