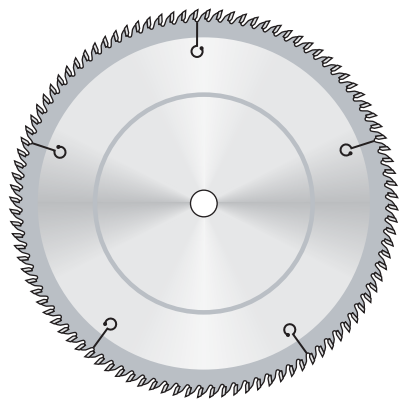


# Whirlwind Blades

## Superblade

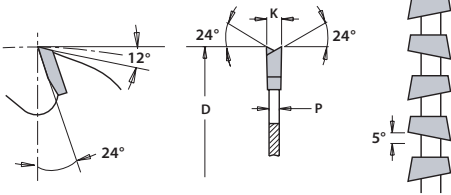


**Application:** For cutting dry soft or hardwoods. The high hook and High ATB top design with alternate shear face design is ideal for chip-free cutting every time. Use with Whirlwind Up-Cut and similar machines.

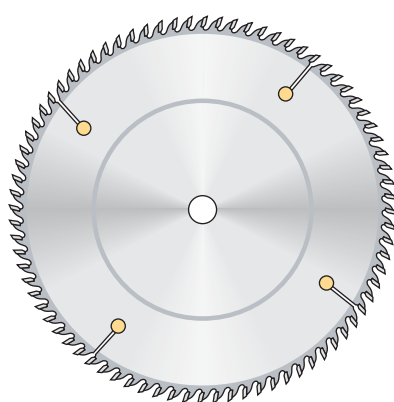
Carbide-tipped | High ATB / ASF Top Design | Laser Slots

Catalog #	Dia.	Teeth	Bore	Kerf	Plate
WW141002AF	14"	100	1"	.155"	.109"
WW161002AF	16"	100	1"	.165"	.120"
WW181002AF	18"	108	1"	.165"	.120"

[ HI - ATB / ASF ]

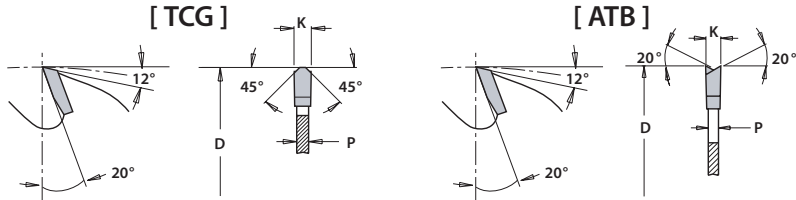


## Economy Line



[ TCG ]

[ ATB ]



Carbide-tipped | TCG or ATB Top Design | Copper Plug Slots

**Application:** For cutting dry soft or hardwoods. Use with Whirlwind Up-Cut and similar machines.

Catalog #	Dia.	Teeth	Bore	Kerf	Plate	Design
WW14603	14"	60	1"	.155"	.109"	TCG
WW14722	14"	72	1"	.155"	.109"	ATB
WW16603	16"	60	1"	.165"	.120"	TCG
WW16722	16"	72	1"	.165"	.120"	ATB
WW18603	18"	60	1"	.165"	.120"	TCG
WW18722	18"	72	1"	.165"	.120"	ATB