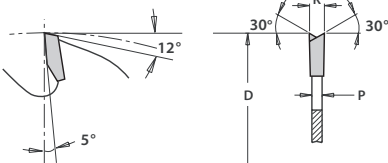
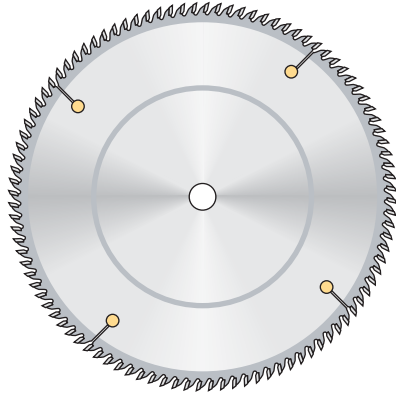


Veneer Blades

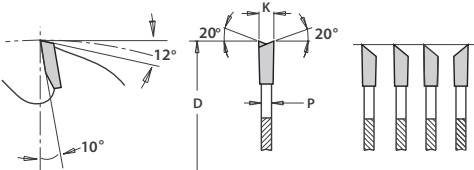
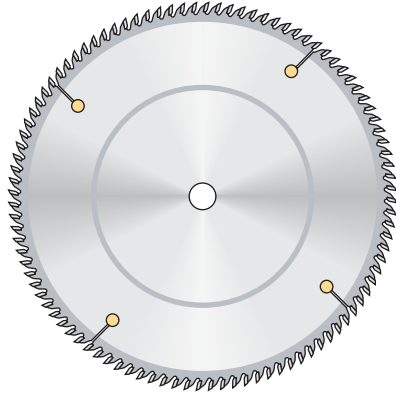


Application: For thin, hard and brittle laminates. Manufactured with a low hook and High ATB top design this blade dominates for the field for chip-free cutting. Use for standard table saws and panel sizing machines.

Carbide-tipped | High ATB Top Design | Copper Plugged Slots

Catalog #	Dia.	Teeth	Bore	Kerf	Plate
VS109002	10"	90	5/8"	.125"	.085"
VS121002	12"	100	1"	.135"	.095"
VS141002	14"	100	1"	.145"	.105"
VS141202	14"	120	1"	.145"	.105"
VS161202	16"	120	1"	.160"	.120"
VS181202	18"	120	1"	.175"	.134"
VS201502	20"	150	1"	.175"	.134"

Trim Side Blades



Application: For trim side finishing, where only one side matters. Manufactured with a thicker plate and kerf give more stability when cutting. Available in both right and left side trim. Use for double end tenon machines.

Carbide-tipped | 3 + 1 (20°) ATB Top Design | Copper Plugged Slots

Catalog #	Dia.	Teeth	Bore	Kerf	Plate
TS1060586 R/L	10"	60	5/8"	.160"	.110"
TS1280106 R/L	12"	80	1"	.175"	.118"
TS1480106 R/L	14"	80	1"	.185"	.134"
TS1410016 R/L	14"	100	1"	.185"	.134"
TS1610016 R/L	16"	100	1"	.185"	.134"
TS1612016 R/L	16"	120	1"	.185"	.134"

* For special bore size, please specify as needed.