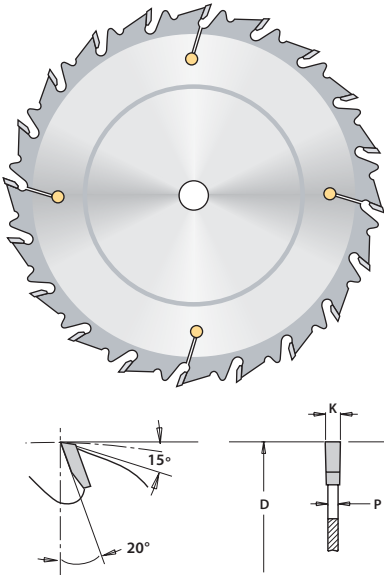


# Rip Blades

## Standard Rip Saw with Chip Limiters

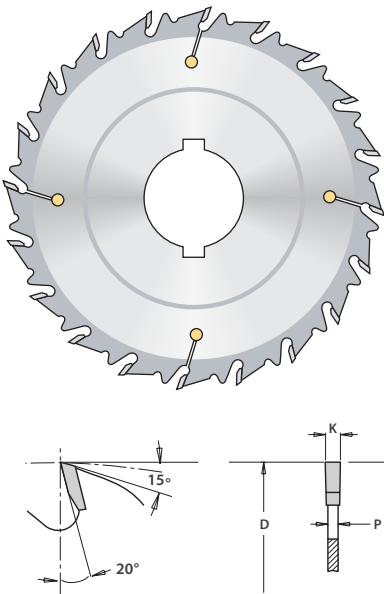


**Application:** For ripping soft or hardwoods.  
Chip limiter design to reduce kickbacks.  
Use for sliding table saws and standard table saws.

Carbide-tipped | Straight Top Design | Copper Plugged Slots

Catalog #	Dia.	Teeth	Bore	Kerf	Plate
RSCL2501	250mm	24	5/8"	.126"	.086"
RSCL3001	300mm	30	1"	.134"	.094"
RSCL3501	350mm	32	1"	.150"	.110"
RSCL4001	400mm	36	1"	.150"	.110"
RSCL4501	450mm	40	1"	.160"	.118"
RSCL5001	500mm	48	1"	.184"	.126"

## Gang Rip Saw with Chip Limiters



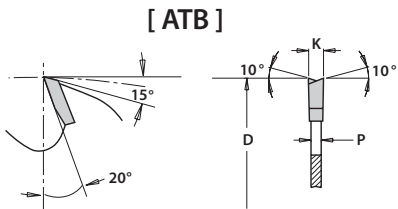
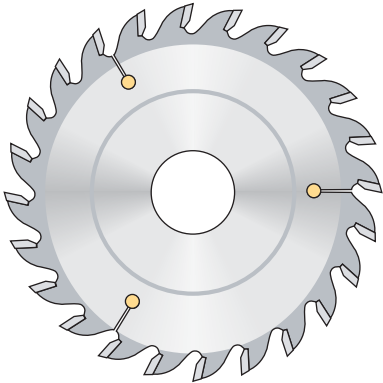
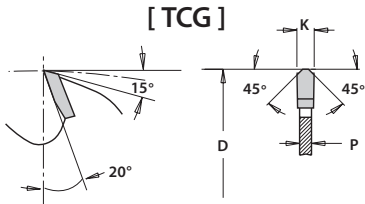
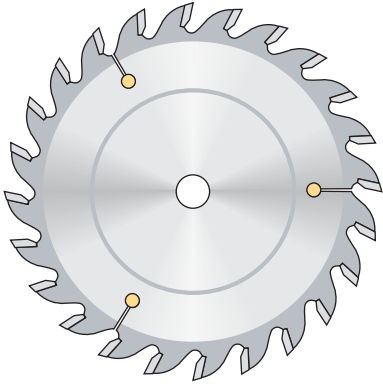
**Application:** For ripping dry soft and hardwood.  
Chip limiter design to reduce kickbacks.  
Engineered in mm to fit European machines.  
All dimensions = 2.2 mm (.086") saw plate.  
Multi Rip Saw Application.

Carbide-tipped | Straight Top Design | Copper Plugged Slots

Catalog #	Dia.	Teeth	Bore	Kerf	Plate	Keyway
GRCL2501	250mm	24	70mm	.126"	.086"	2/20/5
GRCL3001	300mm	28	70mm	.126"	.086"	2/20/5
GRCL3501	350mm	24	70mm	.126"	.086"	2/20/5

# Rip Blades

## Glue Line Rip Saws



**Application:** For glue line ripping dry soft or hardwoods.  
Ultra-smooth cut for gluing applications.  
Use for table saws.

Carbide-tipped | TCG Top Design | Copper Plugged Slots

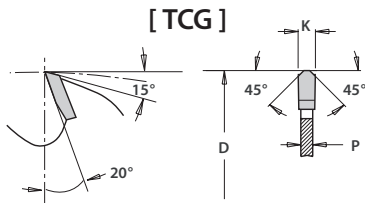
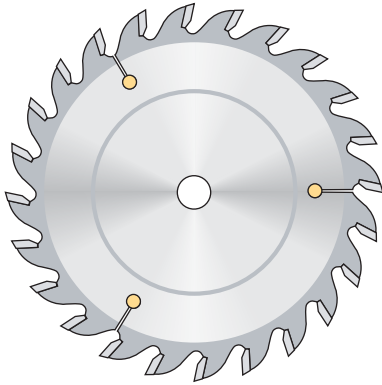
Catalog #	Dia.	Teeth	Bore	Kerf	Plate	Design
RSG08243	8"	24	5/8"	.130"	.086"	TCG
RSG09243	9"	24	5/8"	.135"	.086"	TCG
RSG10243	10"	24	5/8"	.142"	.095"	TCG
RSG12363	12"	36	1"	.160"	.110"	TCG
RSD12363	12"	36	2"	.160"	.110"	TCG
RSG123631253	12"	36	3-1/8"	.160"	.110"	TCG
RSG12363	12"	36	70mm	.160"	.110"	TCG
RSG14363	14"	36	1"	.170"	.118"	TCG
RSD14363	14"	36	2"	.169"	.118"	TCG
RSG143631253	14"	36	3-1/8"	.169"	.118"	TCG
RSG1436703	14"	36	70mm	.169"	.118"	TCG
RSD14403	14"	40	2"	.184"	.134"	TCG
RSG16363	16"	36	1"	.174"	.118"	TCG

**Application:** For glue line ripping dry soft or hardwoods.  
Ultra-smooth cut for gluing applications.  
Use for straight line rip saws, gang saws or table saws.

Carbide-tipped | ATB Top Design | Copper Plugged Slots

# Rip Blades

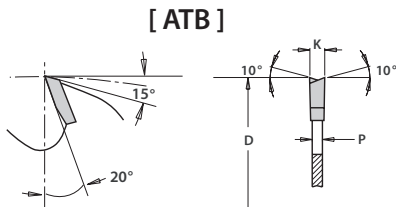
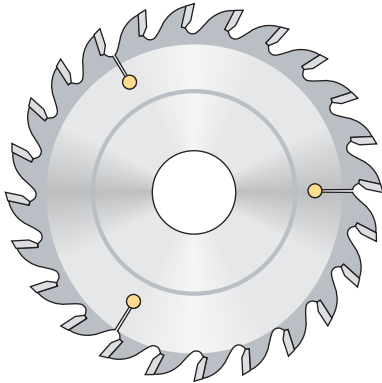
## Standard Rip Saws



**Application:** For glue line ripping dry soft or hardwoods.  
Ultra-smooth cut for gluing applications.  
Use for straight line rip saws, gang saws or table saws.

Carbide-tipped | TCG Top Design | Copper Plugged Slots

Catalog #	Dia.	Teeth	Bore	Kerf	Plate	Design
RSH08242	8"	24	5/8"	.130"	.086"	ATB
RSH09242	9"	24	5/8"	.135"	.086"	ATB
RSH10242	10"	24	5/8"	.138"	.095"	ATB
RSH10243	10"	24	5/8"	.142"	.095"	TCG
RSH12363	12"	36	1"	.160"	.110"	TCG
RSP123631253	12"	36	3-1/8"	.160"	.110"	TCG
RSP1236703	12"	36	70mm	.160"	.110"	TCG
RSP14363	14"	36	1"	.170"	.118"	TCG
RSP123631253	14"	36	3-1/8"	.169"	.118"	TCG
RSP1236703	14"	36	70mm	.169"	.118"	TCG
RSH16363	16"	36	1"	.174"	.118"	TCG

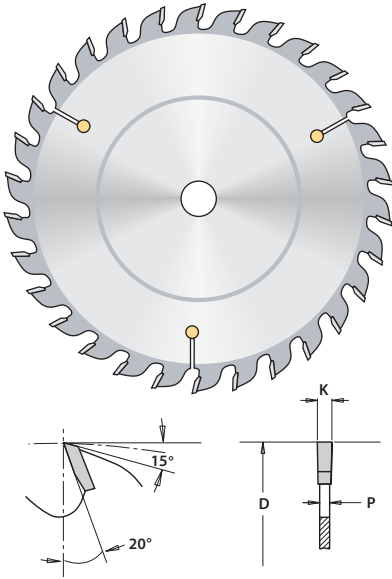


**Application:** For glue line ripping dry soft or hardwoods.  
Ultra-smooth cut for gluing applications.  
Use for table saws.

Carbide-tipped | ATB Top Design | Copper Plugged Slots

# Rip Saw Blades

## Thin Line - Thin Kerf

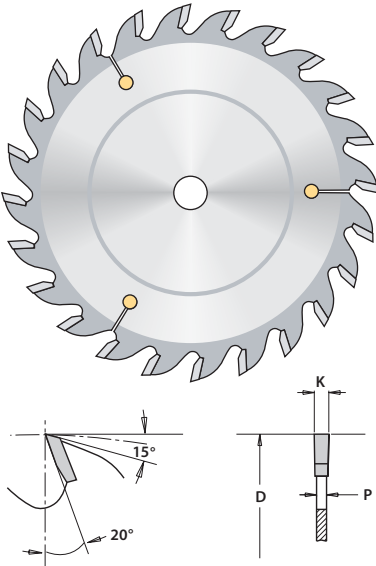


**Application:** For ripping dry soft and hardwood. Manufactured with a thinner kerf for material saving applications. Use for table saws and multi-rip saw applications.

Carbide-tipped | Straight Top Design | Copper Plugged Slots

Catalog #	Dia.	Teeth	Bore	Kerf	Plate
RSTL10301-098	10"	30	5/8"	.098"	.070"
RSTL10301-125	10"	30	5/8"	.125"	.086"
RSTL12361-130	12"	36	1"	.130"	.086"

## Heavy Duty Rip



**Application:** For ripping dry soft and hardwood. Thicker plate and kerf for more cutting stability. Use for table saws and multi-rip saw applications.

Carbide-tipped | Straight Top Design | Copper Plugged Slots

Catalog #	Dia.	Teeth	Bore	Kerf	Plate
RSP10241	10"	24	5/8"	.160"	.110"
RSP10301	10"	30	5/8"	.160"	.110"
RSP12241	12"	24	1"	.170"	.118"
RSP12301	12"	30	1"	.170"	.118"
RSP14301	14"	30	1"	.170"	.118"
RSP16301	16"	30	1"	.184"	.134"
RSP16401	18"	40	1"	.184"	.134"