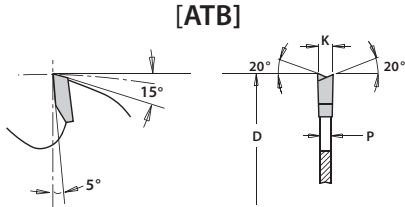
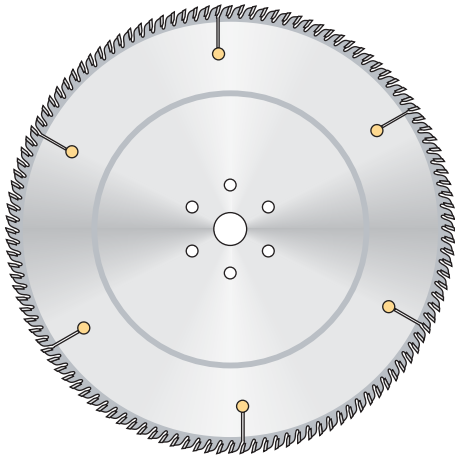


Optimizing Chop Saw Blades



Application: For crosscutting wood on optimizing chop saw machines or systems.
 Large number of teeth for increased cutting speeds.
 Special cutting geometry for excellent cut quality.
 Use for sliding table saws and standard table saws.

Carbide-tipped | ATB Top Design | Copper Plugged Slots

Catalog #	Dia.	Teeth	Bore	Kerf	Plate	Drive Pinhole	Machine
OCS4001202	400mm	120	30mm	4.6mm	3.5mm		Dimter
OCS4501322	450mm	132	30mm	4.6mm	3.5mm	2/15/63	GreCon
OCS4801402	480mm	140	70mm	4.6mm	3.5mm	6/8/220	Paul
OCS500144302	500mm	144	30mm	4.6mm	3.5mm	2/15/63	GreCon
OCS500144702	500mm	144	70mm	4.6mm	3.5mm	6/8/220	Paul
OCS5501202	550mm	156	120mm	4.6mm	3.5mm	6/10,2/240	Paul

Other dimensions for Dimter, GreCon or Paul machines are available by special order.

