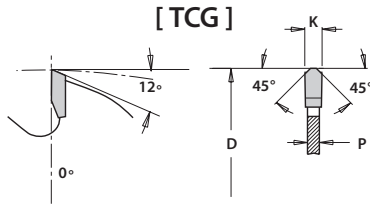
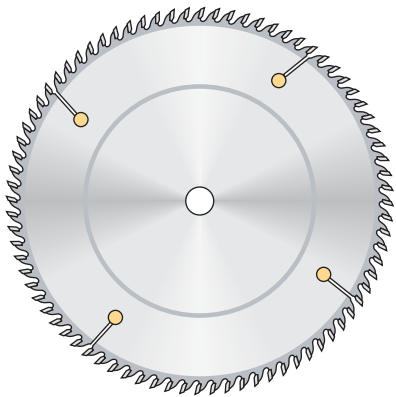


Miter Box Blades

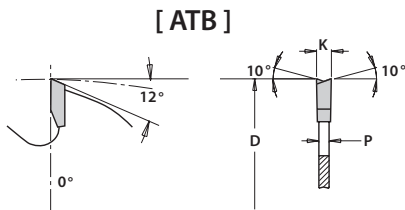
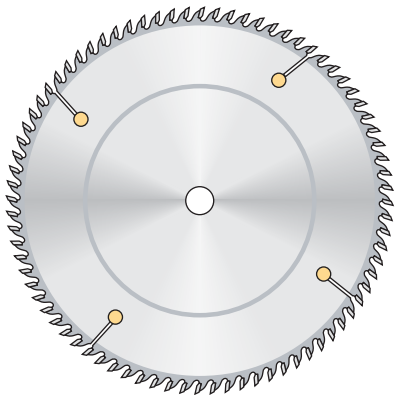
Delta, Dewalt, Hitachi, Makita, Sawbuck, Ryobi
and Simular Machines



Application: For use on single blade miter, compound miter, sliding miter and simular chop style machines .
Manufactured for moderate to high production and tight tolerance for a straight and true cut every time.

Carbide-tipped | TCG Top Design | Copper Plugged Slots

Catalog #	Dia.	Teeth	Bore	Kerf	Plate
MB85603	8-1/2"	60	5/8"	.095"	.065"
MB10603	10"	60	5/8"	.100"	.070"
MB10803	10"	80	5/8"	.100"	.070"
MB12803	12"	80	1"	.110"	.080"
MB121003	12"	100	1"	.117"	.080"
MB14803	14"	80	1"	.117"	.087"
MB141003	14"	100	1"	.117"	.087"
MB151003	15"	100	1"	.117"	.087"



Carbide-tipped | ATB Top Design | Copper Plugged Slots

Catalog #	Dia.	Teeth	Bore	Kerf	Plate
MB85602	8-1/2"	60	5/8"	.095"	.065"
MB10602	10"	60	5/8"	.100"	.070"
MB10802	10"	80	5/8"	.100"	.070"
MB12802	12"	80	1"	.110"	.080"
MB121002	12"	100	1"	.117"	.080"
MB14802	14"	80	1"	.117"	.087"
MB141002	14"	100	1"	.117"	.087"
MB151002	15"	100	1"	.117"	.087"