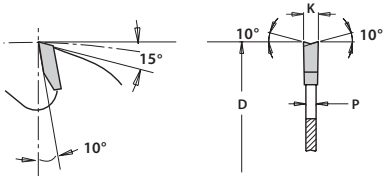
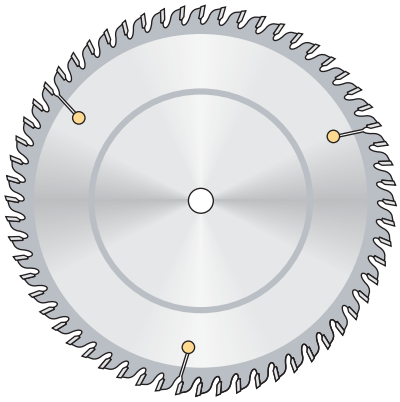


Combination Blades

Hi-Performance

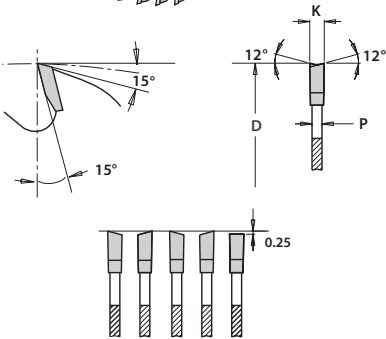
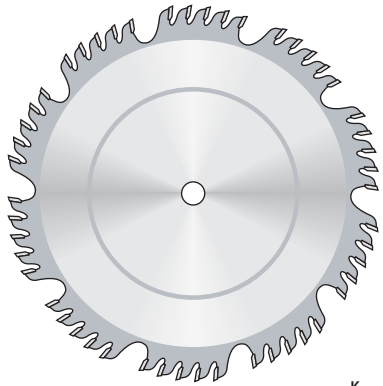


Application: For cross cutting soft or hardwoods.
Use for sliding table saws and standard table saws.

Carbide-tipped | ATB Top Design | Copper Plugged Slots

Catalog #	Dia.	Teeth	Bore	Kerf	Plate
HP08487	8"	48	5/8"	.120"	.080"
HP10487	10"	48	5/8"	.135"	.093"
	12"	48	5/8"	1"	.093"

Combination Planer



Application: For ripping dry soft and hardwood.
Large gullets in body allow for improved chip ejection.
Use for sliding table saws, standard table saws and chop saws.

Carbide-tipped | 4 ATB + 1 Raker Top Design | Copper Plugged Slots

Catalog #	Dia.	Teeth	Bore	Kerf	Plate	Sections
CP8405	8"	40	5/8"	.120"	.087"	8
CP9405	9"	40	5/8"	.124"	.087"	8
CP10405	10"	40	5/8"	.124"	.087"	8
CP10505	10"	50	5/8"	.135"	.087"	10
CP10550	10"	55	5/8"	.135"	.087"	5
CP12505	12"	50	1"	.149"	.087"	10
CP12605	12"	60	1"	.149"	.087"	12
CP14705	14"	70	1"	.160"	.118"	12
CP16805	16"	80	1"	.160"	.118"	16
CP18905	18"	90	1"	.175"	.118"	18