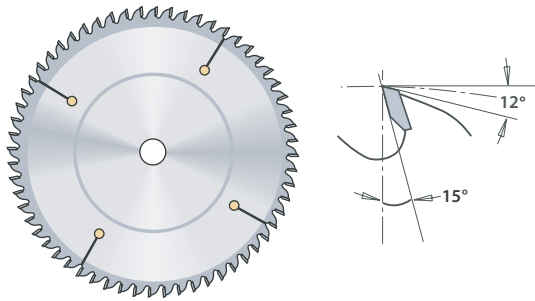


Hard Plastic Sheet and composite plastics

PLH SERIES

Application: Heavy duty blade for cutting hard plastics on a table saw or sliding table saw

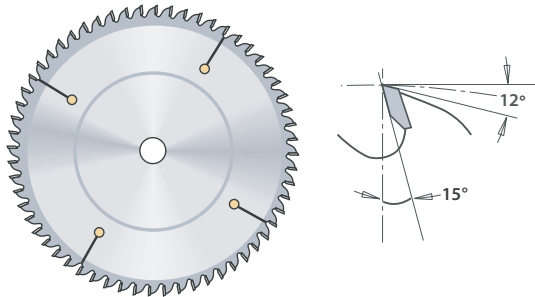


Carbide-tipped | TCG Grind | Copper Plugged Slots

| Catalog # | Dia. | Teeth | Bore | Kerf | Plate |
|-----------|------|-------|------|-------|-------|
| PLH10603 | 10" | 60 | 5/8" | .135" | .095" |
| PLH12403 | 12" | 40 | 1" | .145" | .100" |
| PLH12603 | 12" | 60 | 1" | .145" | .100" |
| PLH14603 | 14" | 60 | 1" | .160" | .115" |
| PLH16603 | 16" | 60 | 1" | .170" | .120" |
| PLH16803 | 16" | 80 | 1" | .170" | .120" |
| PLH18803 | 18" | 80 | 1" | .180" | .130" |
| PLH181003 | 18" | 100 | 1" | .180" | .130" |
| PLH20803 | 20" | 80 | 1" | .180" | .130" |
| PLH201003 | 20" | 100 | 1" | .180" | .130" |

PLG SERIES

Application: General Purpose blade for cutting most hard plastics on a table saw or sliding table saw.

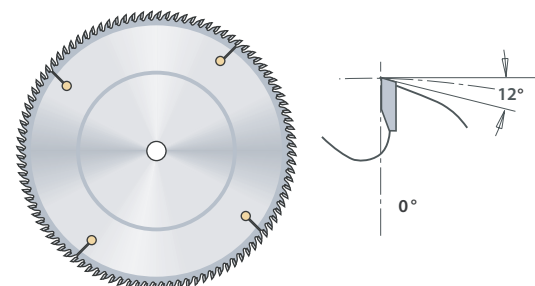


Carbide-tipped | TCG Grind | Copper Plugged Slots

| Catalog # | Dia. | Teeth | Bore | Kerf | Plate |
|-----------|------|-------|------|-------|-------|
| PLG10603 | 10" | 60 | 5/8" | .115" | .085" |
| PLG10723 | 10" | 72 | 5/8" | .115" | .085" |
| PLG10803 | 10" | 80 | 5/8" | .115" | .085" |
| PLG12723 | 12" | 72 | 1" | .125" | .093" |
| PLG12803 | 12" | 80 | 1" | .125" | .093" |
| PLG14723 | 14" | 72 | 1" | .145" | .105" |
| PLG14803 | 14" | 80 | 1" | .145" | .105" |
| PLG16803 | 16" | 80 | 1" | .150" | .105" |

PLGN SERIES

Application: For Low Melt cutting action on a miter saw, chop saw, or radial arm saw.



Carbide-tipped | TCM Grind | Copper Plugged

| Catalog # | Dia. | Teeth | Bore | Kerf | Plate |
|------------|------|-------|------|-------|-------|
| PLGN10904 | 10" | 90 | 5/8" | .110" | .085" |
| PLGN121004 | 12" | 100 | 1" | .115" | .085" |
| PLGN141004 | 14" | 100 | 1" | .118" | .088" |
| PLGN151004 | 15" | 100 | 1" | .118" | .088" |
| PLGN161204 | 16" | 120 | 1" | .122" | .093" |